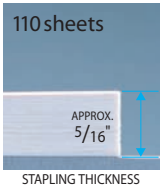


# HEAVY-DUTY STAPLERS

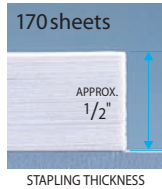
## HD-12 Series (Not Flat Clinch)

MAXimum power with minimum effort for office and industry.



**HD-12N/13**  
30~110 sheets

Stapling capacity: 30~110 sheets  
Staple loading capacity: 100 staples  
Throat depth: 2-3/8"  
Size(WXLXH): 3-3/8"x12-13/16"x7-1/4"



**HD-12N/17**  
30~170 sheets

Stapling capacity: 30~170 sheets  
Staple loading capacity: 100 staples  
Throat depth: 2-3/4"  
Size(WXLXH): 3-9/16"x15-3/8"x8-7/16"

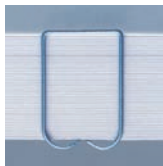


**HD-12N/24**  
50~240 sheets

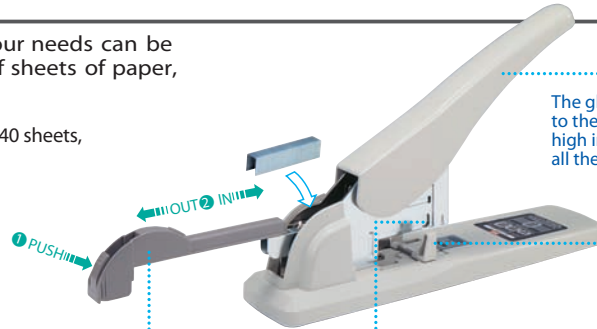
Stapling capacity: 50~240 sheets  
Staple loading capacity: 100 staples  
Throat depth: 2-3/4"  
Size(WXLXH): 3-9/16"x15-3/8"x9-13/16"

### FEATURES

The type of stapler most suitable for your needs can be selected depending upon the number of sheets of paper, the purpose and the use.



Even stapling through 240 sheets, the staple hold clinches firmly and securely.



Rear staple guide makes it quick and easy to load various sized staples into the loading channel.

The glossy smooth handle is gentle to the touch but made of high impact plastic to handle all the tough jobs!

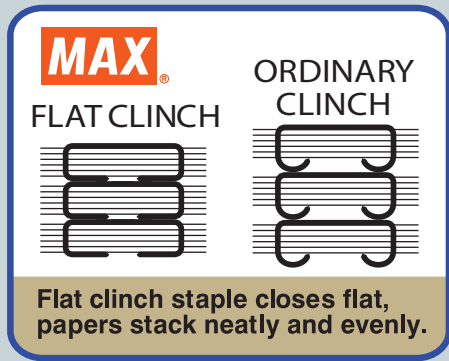
Movable gauge adjusts to handle impact of staple.



Staple window slot shows the size of the staple currently in the staple channel.

### STAPLES FOR HD-12 SERIES

HD-12N/13			HD-12N/17			HD-12N/24		
HD-12N/13			HD-12N/17			HD-12N/17 HD-12F(Flat-Clinch)		
30~70 sheets	50~110 sheets	90~140 sheets	110~170 sheets	150~200 sheets	200~240 sheets			
<b>1210FA-H</b> Stick:100 staples/stick Boxed:1,000 staples	<b>1213FA-H</b> Stick:100 staples/stick Boxed:1,000 staples	<b>1215FA-H</b> Stick:100 staples/stick Boxed:1,000 staples	<b>1217FA-H</b> Stick:100 staples/stick Boxed:1,000 staples	<b>1220FA-H</b> Stick:100 staples/stick Boxed:1,000 staples	<b>1224FA-H</b> Stick:100 staples/stick Boxed:1,000 staples			
23/10	23/13	23/15	23/17	23/20	23/24			



# FLAT CLINCH™ Staplers

## MAJOR FEATURES

- Ultra Light Touch Closing Action.
- One Touch Quick Loading Mechanism.
- Clean Flat-Clinch Stapling Finish.
- Fashionable High Impact Plastic Frames.

## HD-12F

25~150 sheets

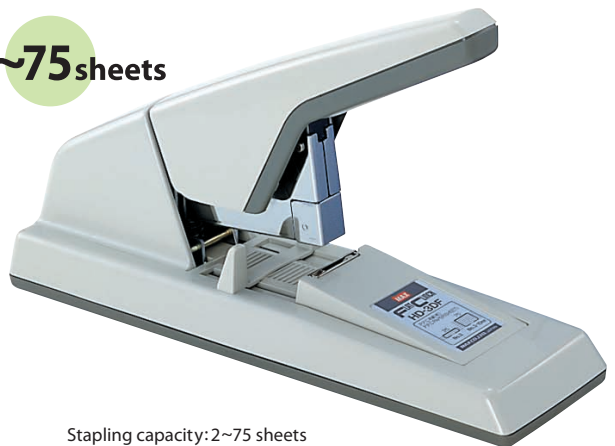


Comfortable Rubber Handle Glip!

Stapling capacity: 25~150 sheets  
 Staple loading capacity: 100 staples  
 Throat depth: 1/5"~1-3/4"  
 Size (WxLxH): 3-1/4"x11-15/16"x8-15/16"

## HD-3DF

2~75 sheets



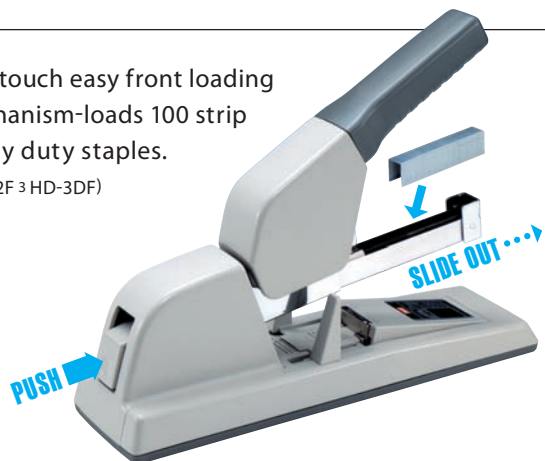
Stapling capacity: 2~75 sheets  
 Staple loading capacity: 100 staples  
 Throat depth: 1/5"~2"  
 Size (WxLxH): 3-5/16"x11-15/16"x7"

### STAPLES FOR HD-3DF AND HD-3D

<p><b>2~30 sheets</b> (HD-3DF: 2~25 sheets)</p> <p><b>No.3-1M</b> Stick: 50 staples/stick Boxed: 1,000 staples</p> <p>24/6</p>	<p><b>20~75 sheets</b></p> <p><b>No.3-10</b> Stick: 50 staples/stick Boxed: 5,000 staples</p> <p>24/10</p>
--	--

One touch easy front loading mechanism-loads 100 strip heavy duty staples.

(HD-12F & HD-3DF)



### SHIPPING QUANTITIES AND SPECIFICATIONS

STAPLERS			
	Q'ty/Carton	Weight/Carton	Cubic M/Carton
HD-3DF	10	40.3 lbs (18.3 kg)	0.0719
HD-12N/13	10	41.4 lbs (18.8 kg)	0.0691
HD-12N/17	5	33.1 lbs (15.0 kg)	0.0525
HD-12N/24	5	30.0 lbs (13.6 kg)	0.0525
HD-12F	5	28.2 lbs (12.8 kg)	0.0427

STAPLERS			
	Q'ty/Carton	Weight/Carton	Cubic M/Carton
No.3-1M(24/6)	300(20x15)	41.4 lbs (18.8 kg)	0.0204
No.3-5M(24/6)	60(10x 6)	42.3 lbs (19.2 kg)	0.0175
No.3-10M(24/10)	40(10x 4)	34.4 lbs (15.6 kg)	0.0194
1210FA-H(23/10)	100(10x10)	19.8 lbs ( 9.0 kg)	0.0101
1213FA-H(23/13)	100(10x10)	26.5 lbs (12.0 kg)	0.0121
1215FA-H(23/15)	100(10x10)	29.5 lbs (13.4 kg)	0.0134
1217FA-H(23/17)	100(10x10)	34.4 lbs (15.6 kg)	0.0177
1220FA-H(23/20)	100(10x10)	41.4 lbs (18.8 kg)	0.0234
1224FA-H(23/24)	100(10x10)	47.4 lbs (21.5 kg)	0.0260

The specifications and design of the products in this catalog will be subject to change without advance notice due to our continuous efforts to improve the quality of our products.



**MAX USA CORP.**  
 257 East 2nd Street Mineola, New York 11501  
 Phone: 800-223-4293 Fax: 516-741-3272  
[www.maxusacorp.com](http://www.maxusacorp.com)

Dealer: